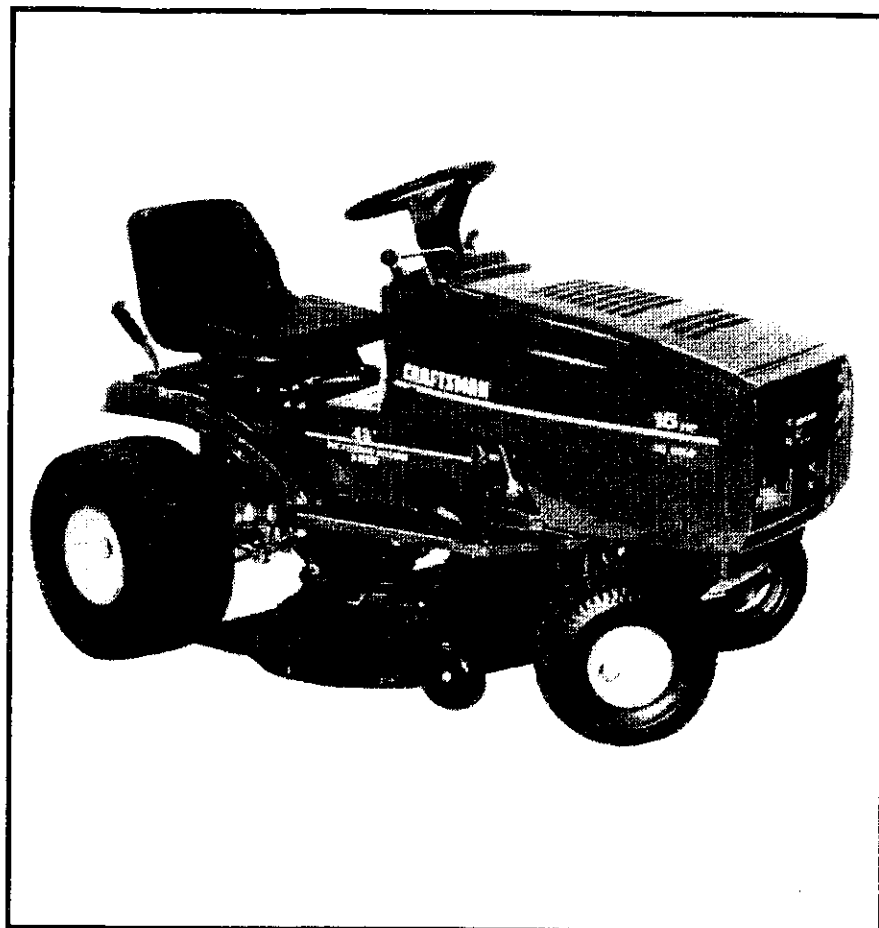


SEARS

**OWNER'S
MANUAL**

**MODEL NO.
536.255870**

Caution:
Read and follow
all Safety Rules
and Instructions
Before Operating
This Equipment

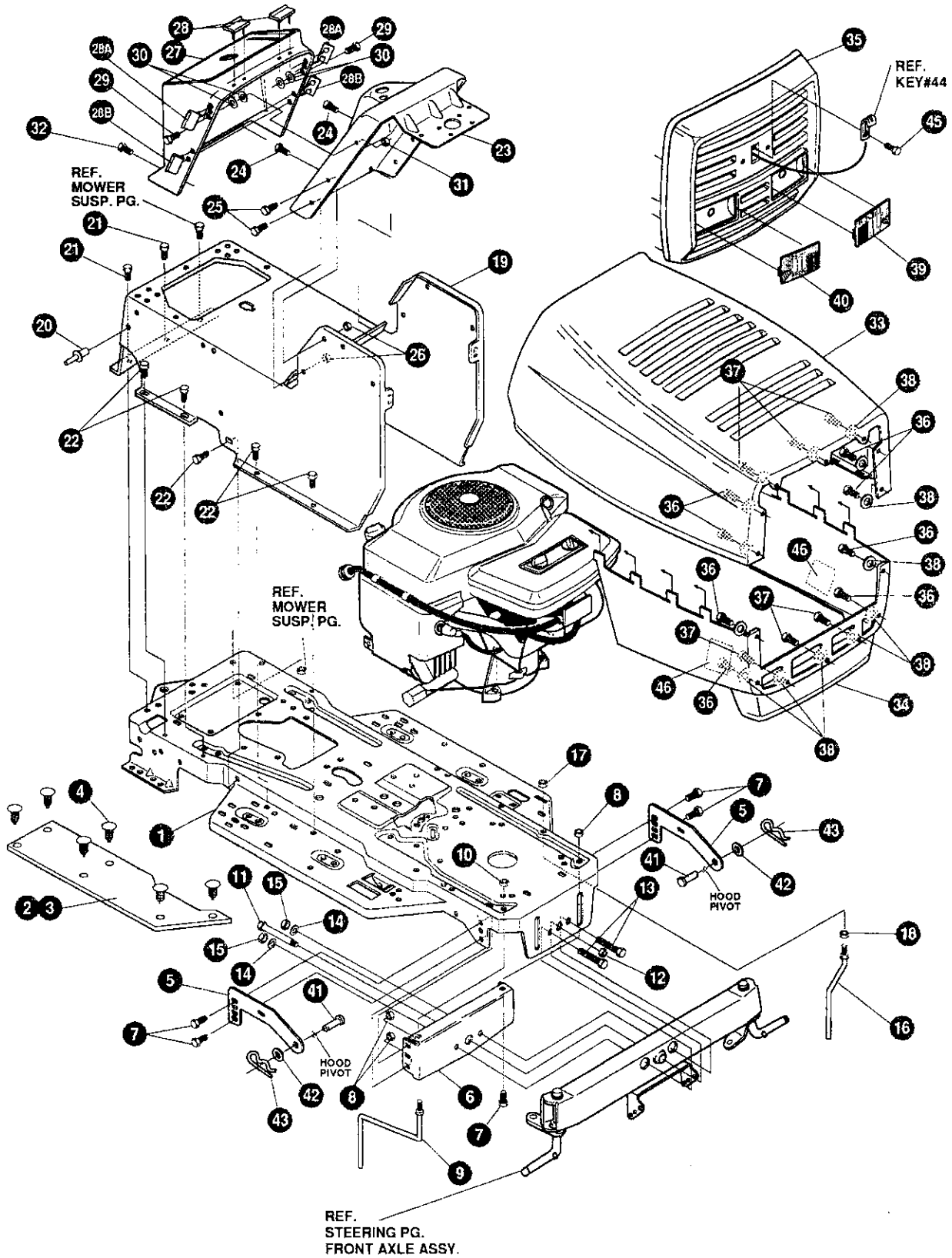


CRAFTSMAN[®]
15.0 HP TWIN CYLINDER
ALL-WHEEL STEER
43" MOWER DECK
6-SPEED TRANSAXLE
LAWN TRACTOR

- Assembly
- Operation
- Customer Responsibilities
- Service and Adjustment

CRAFTSMAN 43" LAWN TRACTOR MODEL 536.255870

CHASSIS & HOOD ASSEMBLY



NOTE: ALWAYS USE ORIGINAL EQUIPMENT PARTS. Use of service/replacement parts other than original equipment parts may void your warranty.

ALL UNNUMBERED ITEMS ARE INTERCHANGEABLE WITH OPPOSITE SIDE

328043A

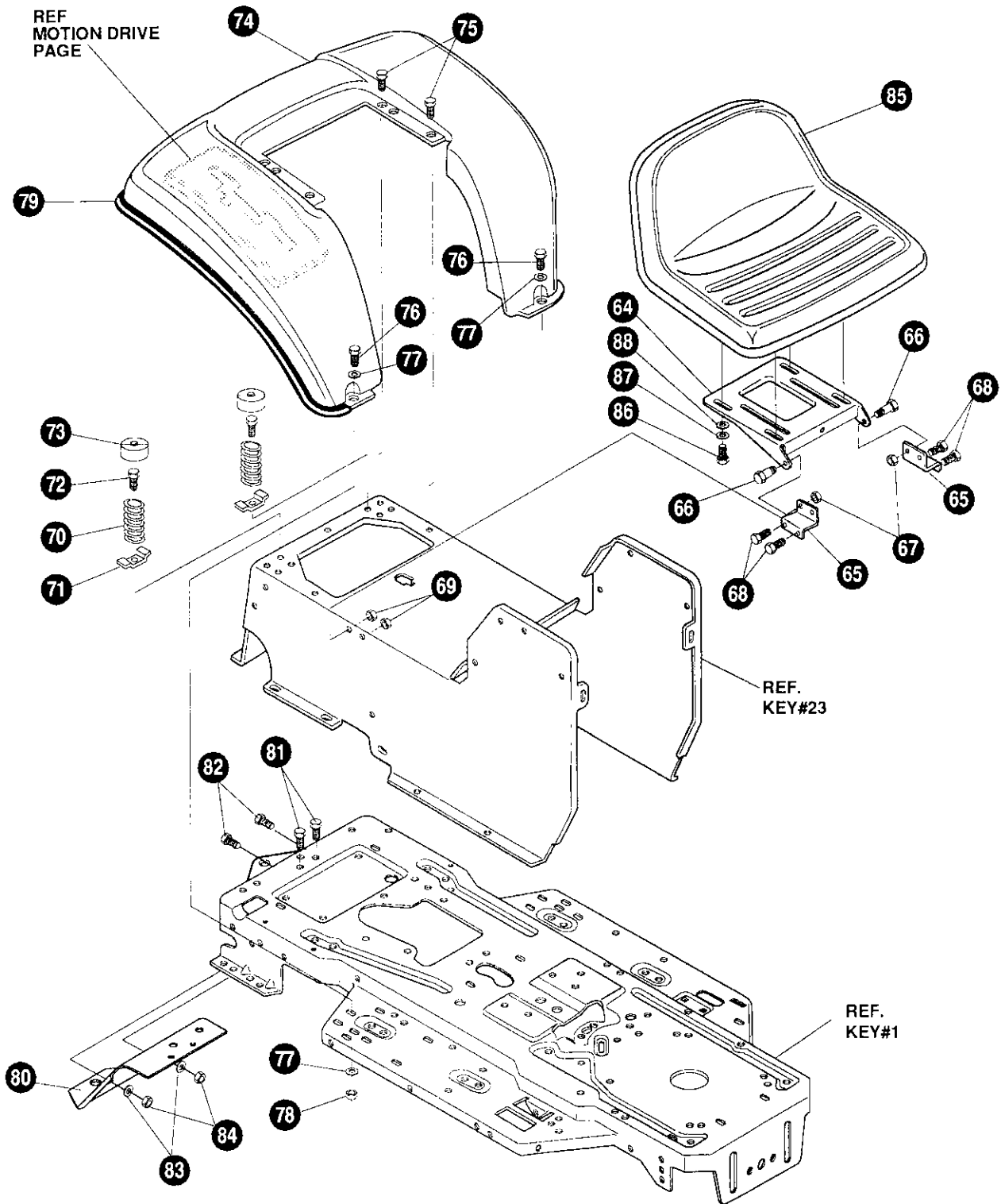
CRAFTSMAN 43" LAWN TRACTOR MODEL 536.255870

| key# | part# | description | qty. |
|------|------------|----------------------------------|------|
| 1 | 326580-829 | FRAME,LF MAIN P920/F4360 SEARS | 1 |
| 2 | 314799 | FOOTPAD,LH PEDAL LIFT | 1 |
| 3 | 310006 | FOOTPAD,RH | 1 |
| 4 | 309235 | FASTENER, RATCHET | 12 |
| 5 | 323068-853 | BRACKET, GRILLE | 2 |
| 6 | 313541-853 | BRACKET, FRONT AXLE | 1 |
| 7 | 56030 | SCREW, 5/16-18X.75WDFLLK | 5 |
| 8 | 55273 | NUT, 5/16-18 HXWDFLLK | 5 |
| 9 | 300440 | GUIDE, BELT, RIDER | 1 |
| 10 | • 1498 | NUT, 5/16-18 REGHEXCTRLK | 1 |
| 11 | 308207 | BOLT, .625X2.18 HSSH 1/2-13 | 1 |
| 12 | 309008 | NUT, 1/2-13 HEXJAM CTRLK | 1 |
| 13 | • 122207 | SCREW, 3/8-16X3.00 HHC | 2 |
| 14 | 2483 | WASHER, .39IDX1.25DX.07 BELLVIL | 2 |
| 15 | • 1499 | NUT, 3/8-16 REGHXCTRLK | 2 |
| 16 | 300635 | GUIDE,BELT SHORT 15" WHEEL | 1 |
| 17 | • 124824 | NUT, 5/16-18 HEXJAM | 1 |
| 18 | • 271190 | NUT, 3/8-16 HEXKEPS | 1 |
| 19 | 315120-829 | CONSOLE, PEDAL LIFT | 1 |
| 20 | 46763 | RIVET, POP .187DIA X .450LG ST | 3 |
| 21 | 35497 | SCREW, 5/16-18X .50 WAHTAP | 2 |
| 22 | 995346 | SCREW, 1/4-20X .50 WAHTAP | 9 |
| 23 | 324111-830 | DASH, STEEL | 1 |
| 24 | 995346 | SCREW, 1/4-20X .50 WAHTAP | 2 |
| 25 | 995338 | SCREW, 1/4-20X .63 HHWATAP | 4 |
| 26 | 50352 | NUT, 1/4-20 WDFLLK TOPLOCK | 4 |
| 27 | 319718 | DASH | 1 |
| 28 | 321810 | BUMPER TOP | 2 |
| 28A | 324491 | BUMPER-HOOD/DASH SIDE TOP | 4 |
| 28B | 324492 | BUMPER-HOOD/DASH SIDE BOTTOM | 2 |
| 29 | 318139 | SCREW, 1/4-20 PHPNHD | 2 |
| 30 | 54569 | WASHER, FLAT .281X .75X .090 | 4 |
| 31 | • 1502 | NUT, 1/4-20 REGHXCTRLK | 2 |
| 32 | 318304 | SCREW, 1/4-20X .50 PHPNTAP | 2 |
| 33 | 328133 | HOOD | 1 |
| 34 | 328131 | SKIRT, HOOD | 1 |
| 35 | 328132 | GRILLE | 1 |
| 36 | 316043 | SCR #10X1.0 UNSL-HWH-HILO ZINC | 8 |
| 37 | 316881 | SCR #10X.75 UNSL-HWH-HILO ZINC | 6 |
| 38 | 1501 | FLATWASHER #10 | 14 |
| 39 | 314967 | LENS LH, SEARS | 1 |
| 40 | 314968 | LENS RH, SEARS | 1 |
| 41 | 323044 | PIN, CLEVIS | 2 |
| 42 | 996425 | FLATWASHER | 2 |
| 43 | 8260 | PIN, HAIR | 14 |
| 44 | 328042 | LANYARD,HOOD 18.00 LG LF | 1 |
| 45 | 316042 | SCR #10X.62 UNSL-HWH-HILO ZINC | 1 |
| 46 | 301452 | FOIL, HEAT REFLECTOR | 2 |
| | 327865 | OWNER'S MANUAL (NOT ILLUSTRATED) | 1 |

• STANDARD HARDWARE ITEMS.

CRAFTSMAN 43" LAWN TRACTOR MODEL 536.255870

HOOD AND CHASSIS ASSEMBLY



NOTE: ALWAYS USE ORIGINAL EQUIPMENT PARTS. Use of service/replacement parts other than original equipment parts may void your warranty.

ALL UNNUMBERED ITEMS ARE INTERCHANGEABLE WITH OPPOSITE SIDE

328043A

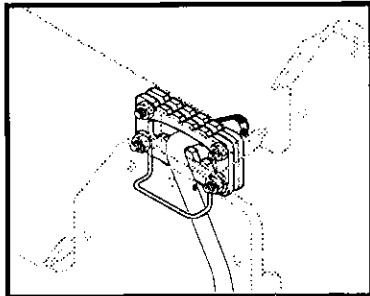
CRAFTSMAN 43" LAWN TRACTOR MODEL 536.255870

| key# | part# | description | qty. |
|------|-------------|-----------------------------------|------|
| 64 | 58367-853 | PLATE, SEAT | 1 |
| 65 | 310660-853 | BRACKET, F-5 SEAT SUPPORT | 1 |
| 66 | 20507 | BOLT, .437X .156 HSH 5/16-18 | 2 |
| 67 | • 1498 | NUT, 5/16-18 REGHEXCTRLK | 2 |
| 68 | 48901 | SCREW, 5/16-18X .63 HHC | 4 |
| 69 | • 1498 | NUT, 5/16-18 REGHEXCTRLK | 4 |
| 70 | 57153 | SPRING,SEAT 2.63LG,1.49OD | 2 |
| 71 | 1341 | CLAMP,SPRING 1.17"ID | 2 |
| 72 | 44811 | SCREW, 1/4-20X .75 HXWATAP | 2 |
| 73 | 56907 | COVER,SEAT SPRING 1.5IDX1.0LG | 2 |
| 74 | 308654 -829 | FENDER | 1 |
| 75 | 995346 | SCREW, 1/4-20X .50 WAHHTAP | 4 |
| 76 | • 122017 | SCREW, 5/16-18X1.00 HHC | 2 |
| 77 | 446363 | WASHER, FLAT .375X .88X.082 | 4 |
| 78 | • 1498 | NUT, 5/16-18 REGHEXCTRLK | 2 |
| 79 | 55021 | TRIM,STRIP,BLACK—SMALL,W/ ADH | 75" |
| 80 | 327061-829 | HITCH, SEARS | 1 |
| 81 | 48148 | SCR, 3/8-16 X 1.000 HXWAHD TAP | 2 |
| 82 | 180079 | SCR, 5/16-18 X .63 HHC | 2 |
| 83 | 120393 | WASHER, FLAT .344 X .69 X .065 | 2 |
| 84 | 1498 | NUT, 5/16-18 REGHEXCTRLK | 2 |
| 85 | 321863 | SEAT, MV540 CRAFTSMAN | 1 |
| 86 | 122007 | SCREW, 5/16-18 X .75 HHC | 4 |
| 87 | 120638 | WASHER, HVSP TLK .328 X .60 X .09 | 4 |
| 88 | 120393 | WASHER, FLAT .344 X .69 X .065 | 4 |

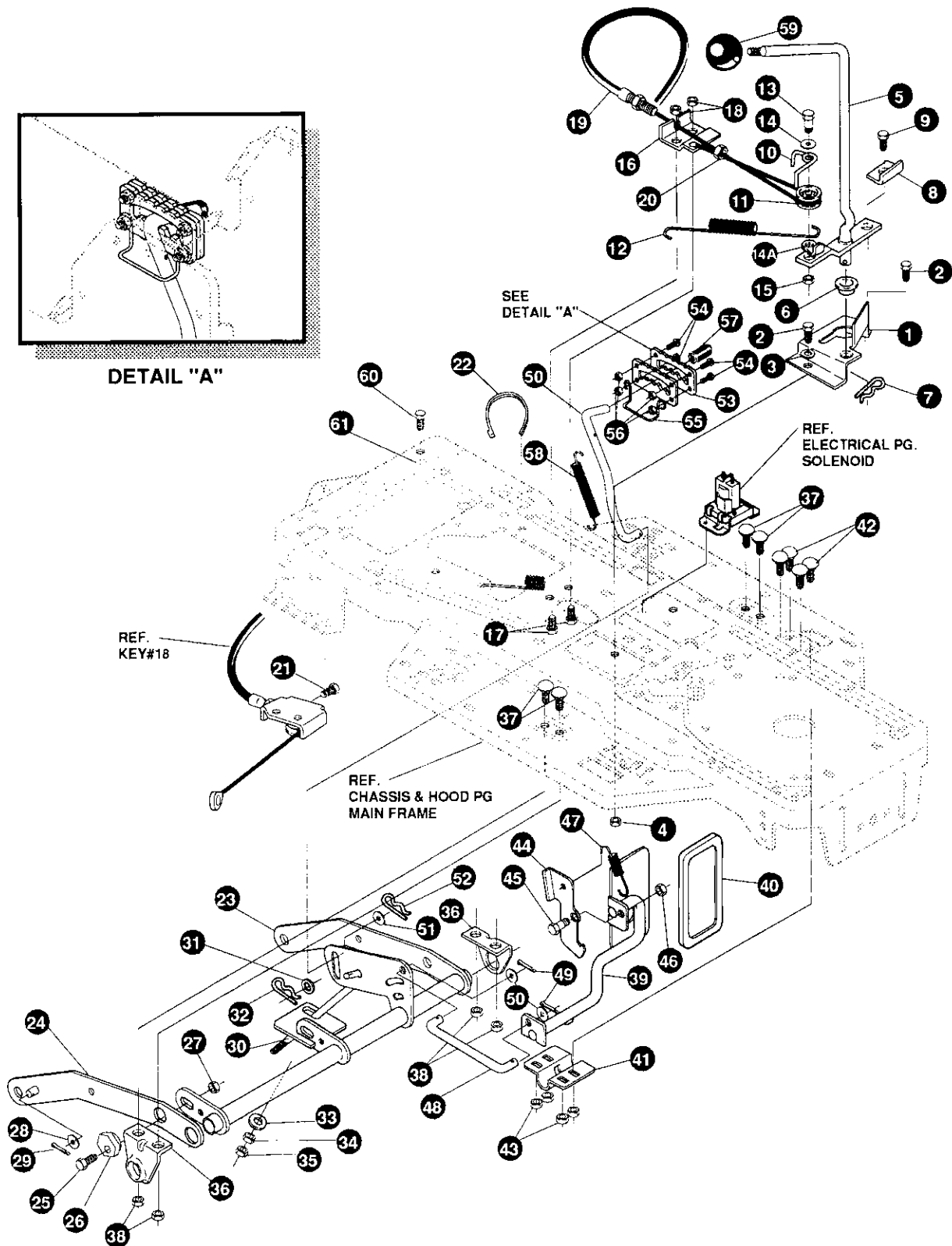
• STANDARD HARDWARE ITEMS.

CRAFTSMAN 43" LAWN TRACTOR MODEL 536.255870

MOWER SUSPENSION ASSEMBLY



DETAIL "A"



NOTE: ALWAYS USE ORIGINAL EQUIPMENT PARTS. Use of service/replacement parts other than original equipment parts may void your warranty.

ALL UNNUMBERED ITEMS ARE INTERCHANGEABLE WITH OPPOSITE SIDE

322997F

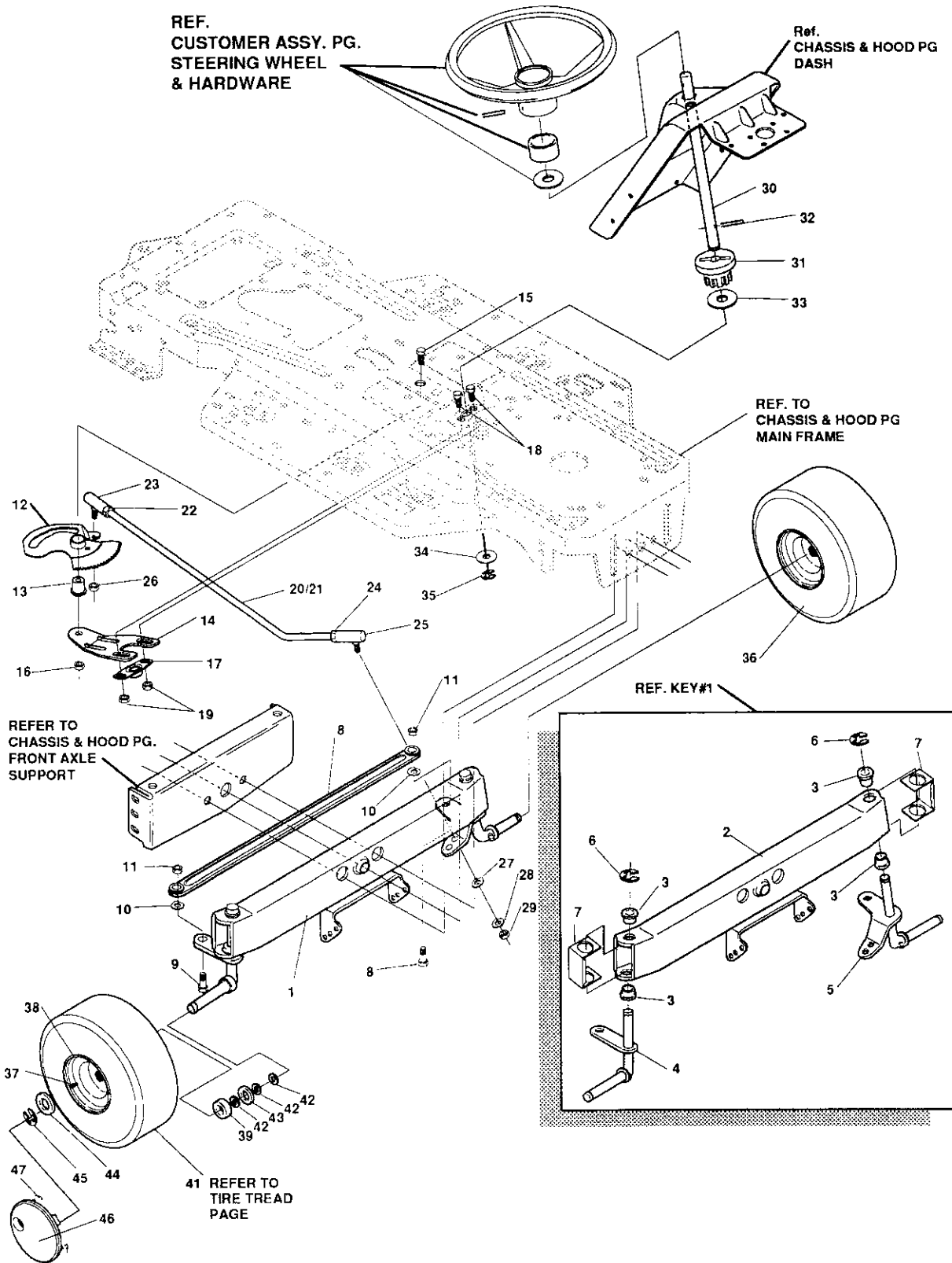
CRAFTSMAN 43" LAWN TRACTOR MODEL 536.255870

| key# | part# | description | qty. |
|------|------------|-------------------------------------|------|
| 1 | 320075-853 | BRACKET,CLUT-ENGAGELEVERBLK | 1 |
| 2 | • 180079 | SCREW, 5/16-18X1.00 HHC | 2 |
| 3 | 120393 | WASHER, FLAT .344X .69X.065 | 2 |
| 4 | • 1498 | NUT, 5/16-18 REGHEXCTRLK | 2 |
| 5 | 317089 | ASSY,CLUTCH LEVER | 1 |
| 6 | 50148 | BEARING,FL. .503IDX.628OD | 1 |
| 7 | 8260 | PIN, HAIR .091 DIA X1.66LG | 1 |
| 8 | 318341 | BRACKET,SWITCH ENGAGE | 1 |
| 9 | 35498 | SCREW, 5/16-18X .75 WAHTAP | 1 |
| 10 | 324032 | CABLE KEEPER | 1 |
| 11 | 48306 | PULLEY, POWDER METAL | 1 |
| 12 | 316648 | SPRING 12.88 LONG | 1 |
| 13 | 324045 | BOLT, .375X .565 HSH 1/4-20 | 1 |
| 14 | 315194 | WASHER, FLAT 1.38 X .51 X .043 Z/YZ | 1 |
| 14A | 1288 | BRACKET RETAINER | 1 |
| 15 | • 1502 | NUT, 1/4-20 REGHEXCTRLK | 1 |
| 16 | 300698-853 | BRACKET, FRAME CABLE | 1 |
| 17 | • 180020 | SCREW, 1/4-20X .75 HHC | 2 |
| 18 | • 1502 | NUT, 1/4-20 REGHEXCTRLK | 2 |
| 19 | 324055 | ASSY,CABLE, BLADE ENGAGE | 1 |
| 20 | 120613 | NUT, 1/4-28 HJAM | 1 |
| 21 | 35498 | SCREW, 5/16-18X .75 WAHTAP | 1 |
| 22 | 57444 | TIE, CABLE BLACK | 1 |
| 23 | 322835-853 | LIFT ASSY,LH P-LIFT J BLACK | 1 |
| 24 | 300169-853 | ASSY.LINK,RIGHT SIDE | 1 |
| 25 | • 180079 | SCREW, 5/16-18X1.00 HHC | 1 |
| 26 | 58247 | ADJUSTING NUT | 1 |
| 27 | • 1498 | NUT, 5/16-18 REGHEXCTRLK | 1 |
| 28 | 417098 | WASHER, FLAT .531X1.06X.095 | 2 |
| 29 | 8260 | PIN, HAIR .091 DIA X1.66LG | 2 |
| 30 | 322821 | ROD, ADJUSTING "J" P-LIFT | 1 |
| 31 | 120394 | WASHER, FLAT .406 X .81 X .065 | 1 |
| 32 | 36368 | PIN, HAIR .072 DIA. X 1.13 LG | 1 |
| 33 | 996416 | WASHER, FLAT .391 X 1.00 X .125 | 1 |
| 34 | 120377 | NUT, 3/8-16 REG HX | 1 |
| 35 | 322467 | NUT, 3/8-16 REG HX NK LOC | 1 |
| 36 | 58248-853 | BRKT,REAR,HANG,SUSP. | 2 |
| 37 | 126211 | BOLT, 5/16-18X .63 CARR | 4 |
| 38 | • 1498 | NUT, 5/16-18 REGHEXCTRLK | 4 |
| 39 | 314962-853 | PEDAL ASSY, DECK HEIGHT BLK | 1 |
| 40 | 314488 | PAD, LIFT PEDAL | 1 |
| 41 | 323751 | BRACKET, LIFT ARM | 1 |
| 42 | 126211 | BOLT, 5/16-18X .63 CARR | 4 |
| 43 | 44108 | NUT, 5/16-18 HWDFLCTRLK | 4 |
| 44 | 315342 | LATCH,PEDAL LIFT | 1 |
| 45 | 314829 | BOLT, .56 X .13 HSH 3/8-16 | 1 |
| 46 | • 1499 | NUT, 3/8-16 REGHXCTRLK | 1 |
| 47 | 314489 | SPRING, LIFT LATCH | 1 |
| 48 | 314792 | ROD, PIVOT | 1 |
| 49 | 121222 | PIN, COTTER .090/.086X.75 | 2 |
| 50 | 321385 | ROD, MEMORY | 1 |
| 51 | 274517 | WASHER, FLAT .406X .73X.063 | 3 |
| 52 | 36368 | PIN,HAIR .072DIA X 1.13LG | 1 |
| 53 | 315341 | BRACKET,MEMORY | 2 |
| 54 | 44811 | SCREW, 1/4-20X.75 HXWATAP | 4 |
| 55 | 324038 | GUIDE, MEMORY ROD | 1 |
| 56 | • 1502 | NUT, 1/4-20 REGHEXCTRLK | 4 |
| 57 | 314969 | CAP, MEMORY ROD 38ID X .75 | 1 |
| 58 | 314837 | SPRING, MEMORY | 1 |
| 59 | 321837 | KNOB, MATTE BLACK | 1 |
| 60 | 180077 | SCREW, 5/16-18 X .75 HHC | 1 |
| 61 | 1498 | NUT, 5/16-18 REGHEXCTRLK | 1 |

• STANDARD HARDWARE ITEMS.

CRAFTSMAN 43" LAWN TRACTOR MODEL 536.255870

FRONT STEERING ASSEMBLY



NOTE: ALWAYS USE ORIGINAL EQUIPMENT PARTS. Use of service/replacement parts other than original equipment parts may void your warranty.

ALL UNNUMBERED ITEMS ARE INTERCHANGEABLE WITH OPPOSITE SIDE

328622A

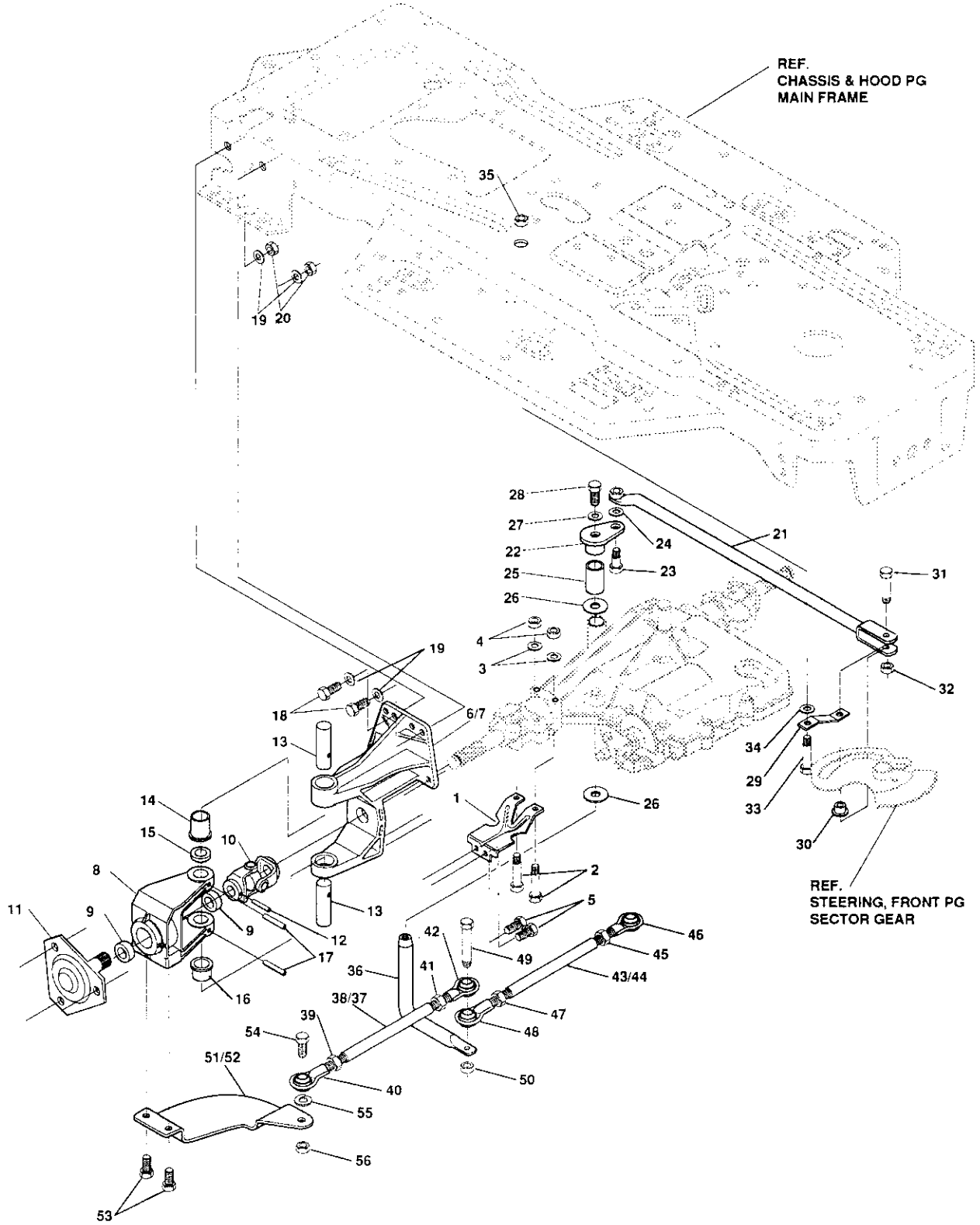
CRAFTSMAN 43" LAWN TRACTOR MODEL 536.255870

| key# | part# | description | qty. |
|------|------------|---|------|
| 1 | * | AXLE,FRONT ASSY SUS 4WS LF | 1 |
| 2 | 300272-853 | ASSY,FRONT AXLE SUS | 1 |
| 3 | 52407 | SPINDLE BEARING | 4 |
| 4 | 318539 | ASSY,SPINDLE RH LONG | 1 |
| 5 | 318544 | ASSY,SPINDLE,LH LONG | 1 |
| 6 | 36625 | RING, RETEX .57X.05TRU5133-75 | 2 |
| 7 | 53373-853 | AXLE COVER | 2 |
| 8 | 304590 | TIE ROD ASSY 19.81LG W-SECTION | 1 |
| 9 | • 180128 | SCREW, 3/8-16X1.75 HHC | 2 |
| 10 | • 120382 | WASHER, REGSPTLK.393X.68X.10 | 2 |
| 11 | • 120377 | NUT, 3/8-16 REGHEX | 2 |
| 12 | 313634 | ASSY SECTOR GEAR 4WS LF | 1 |
| 13 | 313629 | BUSHING,SECTOR GEAR 4WS LF | 1 |
| 14 | 313671-853 | SUPPORT,SECTOR GEAR 4WS LF | 1 |
| 15 | 315196 | SCREW, 1/2-20X3.00 HHC | 1 |
| 16 | 274654 | NUT, 1/2-20 REGHXCTRLK | 1 |
| 17 | 302498 | BEARING FLANGE 0.5 BORE | 1 |
| 18 | 323731 | SCREW, 5/16-24 X.75 SQ. CONE SEMS | 2 |
| 19 | 71100 | NUT, 5/16-24 HXWDFLLK | 2 |
| 20 | 323752 | ASM. DRAGLINK 4WS LF | 1 |
| 21 | 321449 | DRAG LINK .625 DIA LF 4WS | 1 |
| 22 | 124925 | NUT, 3/8-24 REGHEXJAM | 1 |
| 23 | 57158 | BALL JOINT 3/8 THD SHORT STUD | 1 |
| 24 | 272123 | NUT, 7/16-20 HXJAM | 1 |
| 25 | 302865 | JOINT, BALL ASSY 7/16-20 | 1 |
| 26 | 46692 | NUT, 3/8-24 WDFLHLK WHIZ | 1 |
| 27 | 120396 | WASHER, FLAT .531X1.06X.095 | 1 |
| 28 | • 120383 | WASHER, REGSPTLK.459X.78X.12 | 1 |
| 29 | 271506 | NUT, 7/16-20 REGHX | 1 |
| 30 | 318702 | SHAFT, STEERING 4WS LF | 1 |
| 31 | 302314 | PINION STEERING | 1 |
| 32 | 302524 | PIN DOWEL STR ERO LT | 1 |
| 33 | 315194 | WASHER,FLAT 1.38 X .51X.043 | 1 |
| 34 | 2968 | WASHER, FLAT .504X.75X.059 | 1 |
| 35 | 20864 | RING, RET E .39X.04TRU5133-50 | 1 |
| 36 | * | TIRE & RIM, PU 15X6.0X6 TURF SILVER 654 | 2 |
| 37 | 24167 | VALVE STEM | 1 |
| 38 | 321908 | WHEEL W/BRG. | 1 |
| 39 | 314416 | BEARING | 1 |
| 40 | 706 | ZERK FITTING | 2 |
| 41 | 316702 | REFER TO TIRE TREAD PAGE | |
| 42 | 73840 | WASHER | 6 |
| 43 | 318550 | WASHER, FELT | 2 |
| 44 | 642 | WASHER, FLAT .755 X 1.31 X .075 | 2 |
| 45 | 36625 | RING, RETEX .57X.05TRU5133-75 | 2 |
| 46 | 306571 | HUBCAP 6" SILVER 325/854 | 2 |
| 47 | 306669 | CLIP | 8 |

- * ORDER INDIVIDUAL PARTS.
- STANDARD HARDWARE ITEMS.

CRAFTSMAN 43" LAWN TRACTOR MODEL 536.255870

REAR STEERING ASSEMBLY



REF.
CHASSIS & HOOD PG
MAIN FRAME

REF.
STEERING, FRONT PG
SECTOR GEAR

NOTE: ALWAYS USE ORIGINAL EQUIPMENT PARTS. Use of service/replacement parts other than original equipment parts may void your warranty.

ALL UNNUMBERED
ITEMS ARE INTERCHANGEABLE
WITH OPPOSITE SIDE

326137A

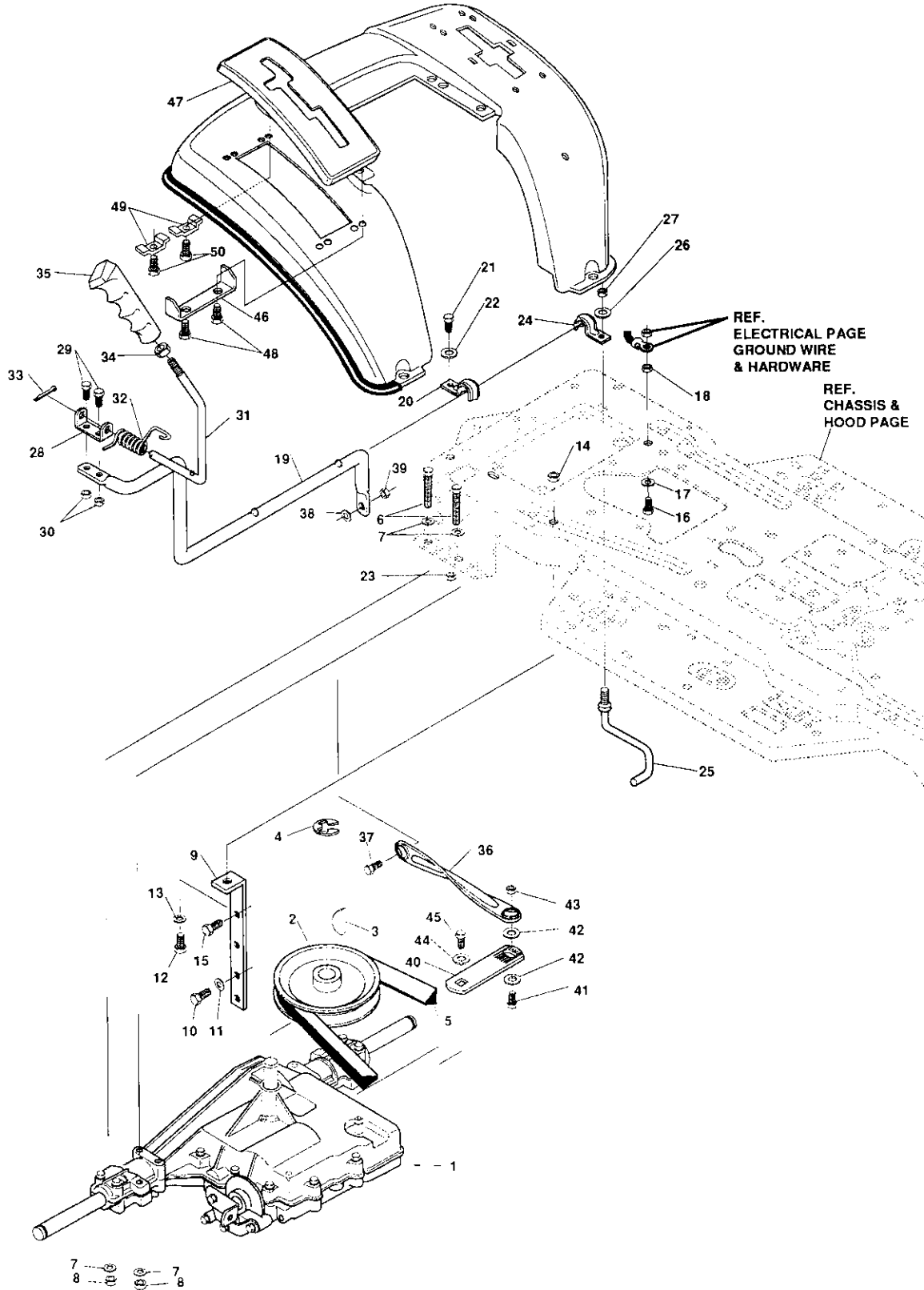
CRAFTSMAN 43" LAWN TRACTOR MODEL 536.255870

| key# | part# | description | qty. |
|------|------------|-----------------------------------|------|
| 1 | 303222-853 | BRKT X-AXLE MTG | 2 |
| 2 | 180091 | ◇ SCREW, 5/16-18X2.50 HHC | 4 |
| 3 | 120393 | WASHER, FLAT .344X .69X.065 | 4 |
| 4 | 1498 | ◇ NUT, 5/16-18 REGHEXCTRLK | 4 |
| 5 | 35498 | ◇ SCREW, 5/16-18X .75 WAHTAP | 4 |
| 6 | 326135 | U-JOINT ASM. 4WS LD LF | 2 |
| 7 | 314267 | BRCKT,STRG PIVOT W/DRILL HOLES | 2 |
| 8 | 12465 | BRACKET,STR PIVOT | 2 |
| 9 | 12325 | BEARING | 4 |
| 10 | 320531 | U-JOINT ASSEMBLY (LONG) | 2 |
| 11 | 12280-830 | HUB ASSEMBLY GREY 861 | 2 |
| 12 | 36311 | PIN, GROOVED .250 DIA X 1.50 LG | 2 |
| 13 | 12289 | PIN, STEERING HINGE | 4 |
| 14 | 324578 | BUSHING, SHOULDERED (OILITE) | 2 |
| 15 | 21682 | WASHER, FLAT .765X1.25X.042 PL | 2 |
| 16 | 324578 | BUSHING, SHOULDERED (OILITE) | 2 |
| 17 | 456722 | PIN, SPRING.250DIA X 1.50 LG HVPL | 4 |
| 18 | 122017 | ◇ SCREW, 5/16-18X1.00 HHC | 8 |
| 19 | 120393 | WASHER, FLAT .344X .69X.065 | 16 |
| 20 | 1498 | ◇ NUT, 5/16-18 REGHEXCTRLK | 8 |
| 21 | 324514 | ROD ASM., DRAGLINK | 1 |
| 22 | 308719 | PIVOT, STEERING | 1 |
| 23 | 12319 | BOLT, .562X .340 HHSH 3/8-24 | 1 |
| 24 | 120394 | WASHER, FLAT .406X .81X.065 | 1 |
| 25 | 304115 | SPACER, STEERING SHAFT | 1 |
| 26 | 25177 | WASHER, FLAT .765X1.19X.048 | 2 |
| 27 | 45602 | WASHER, FLAT .333X .87X.119 | 1 |
| 28 | 421051 | ◇ SCREW, 5/16-24X1.00 HHC | 1 |
| 29 | 302594 | ARM ROLLER SWING 4 W | 1 |
| 30 | 304116 | CAM YOKE ROLLER | 1 |
| 31 | 304122 | SHOULDER BOLT CAM ROLLER | 1 |
| 32 | 274654 | ◇ NUT, 1/2-20 REGHXCTRLK | 1 |
| 33 | 324638 | SHOULD BOLT CAM FOLLOWER | 1 |
| 34 | 996307 | WASHER, FLAT .391X1.00X.209 | 1 |
| 35 | 412349 | ◇ NUT, 3/8-24 HXCTRLK | 1 |
| 36 | 308720 | SHAFT, STEERING PIVOT | 1 |
| 37 | 323634 | TIE ROD ASSY RH | 1 |
| 38 | 308447 | ROD, TIE 1/2"D X 8.00 LG | 1 |
| 39 | 308399 | ◇ NUT, 3/8-24 LH THD REGHJAM | 1 |
| 40 | 308384 | ROD, TIE END LH 3/8-24 EURO | 1 |
| 41 | 124925 | ◇ NUT, 3/8-24 REGHEXJAM | 1 |
| 42 | 304260 | ROD, TIE END RH | 1 |
| 43 | 323635 | TIE ROD ASSY LH | 1 |
| 44 | 308446 | ROD, TIE 1/2"D X 9.5 LG | 1 |
| 45 | 308399 | NUT, 3/8-24 LH THD REGHJAM | 1 |
| 46 | 308384 | ROD, TIE END LH 3/8-24 EURO | 1 |
| 47 | 124925 | NUT, 3/8-24 REGHEXJAM | 1 |
| 48 | 304260 | ROD, TIE END RH | 1 |
| 49 | 181646 | ◇ SCREW, 3/8-24X1.75 HHC | 1 |
| 50 | 412349 | ◇ NUT, 3/8-24 HXCTRLK | 1 |
| 51 | 304120-853 | ARM RW STR ERO RH | 1 |
| 52 | 304121-853 | ARM RW STR ERO LH | 1 |
| 53 | 39728 | ◇ SCREW, 3/8-16X .75 WAHTAP BK | 4 |
| 54 | 181639 | ◇ SCREW, 3/8-24X1.25 HHC | 2 |
| 55 | 120382 | WASHER, REGSPTLK.393X.68X.10 | 2 |
| 56 | 412349 | ◇ NUT, 3/8-24 HXCTRLK | 2 |

◇ Indicates STANDARD HARDWARE ITEMS

CRAFTSMAN 43" LAWN TRACTOR MODEL 536.255870

MOTION DRIVE ASSEMBLY



NOTE: ALWAYS USE ORIGINAL EQUIPMENT PARTS. Use of service/replacement parts other than original equipment parts may void your warranty.

**ALL UNNUMBERED
ITEMS ARE INTERCHANGEABLE
WITH OPPOSITE SIDE**

328041A

CRAFTSMAN 43" LAWN TRACTOR MODEL 536.255870

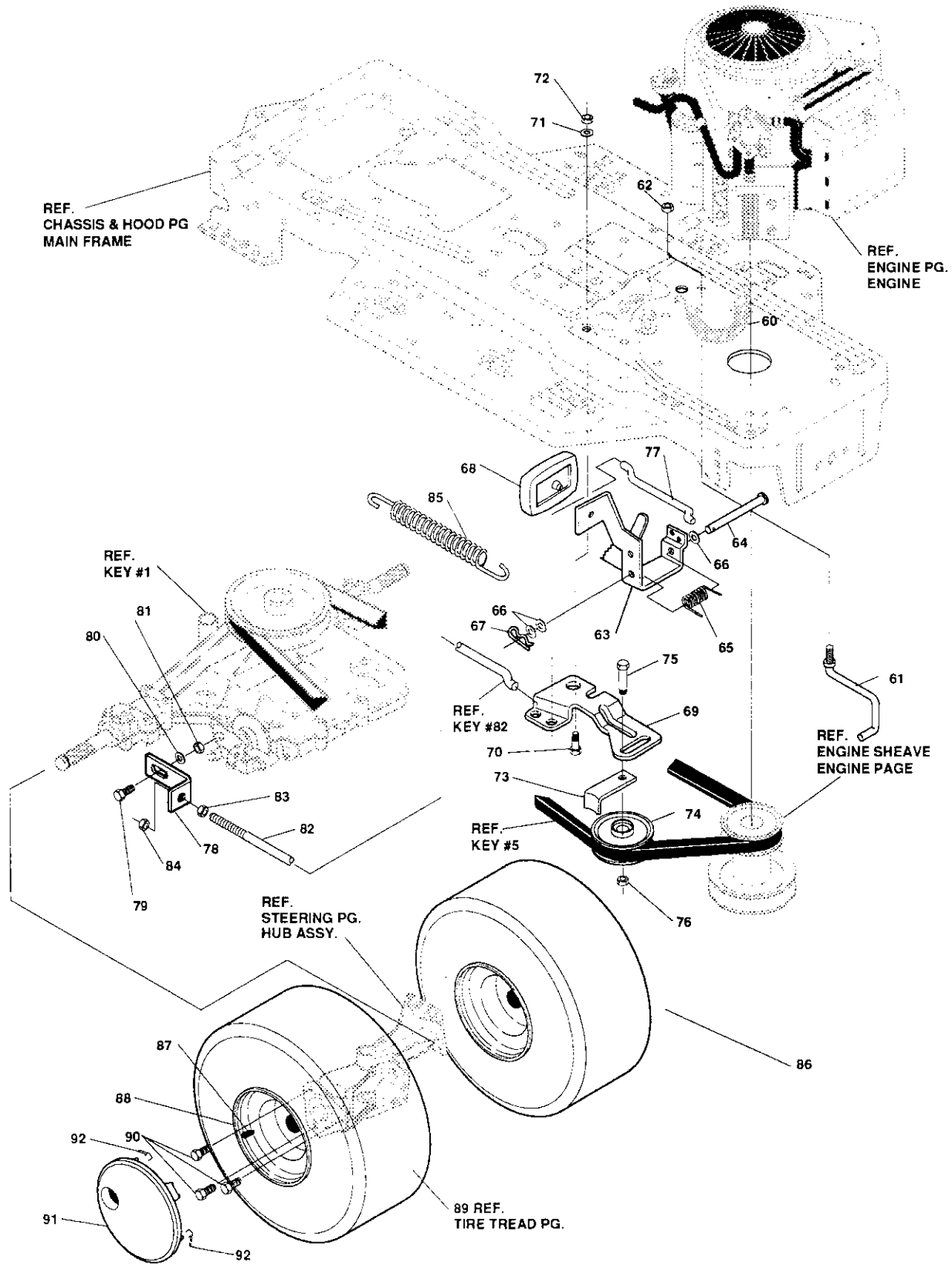
| key# | part# | description | qty. |
|------|------------|--|------|
| 1 | * | TRANSAXLE P930-042 6SP | 1 |
| 2 | 303109 | PULLEY, V4L 920TA | 1 |
| 3 | 3021 | KEY, WDRF 606 .750X.187X.312 | 1 |
| 4 | 22053 | RING, RETEX .58X.04TRU5100-62 | 1 |
| 5 | 314120 | BELT, V 4L 87.25 | 1 |
| 6 | • 180089 | SCREW, 5/16-18X2.25 HHC | 4 |
| 7 | 120393 | WASHER, FLAT .344X .69X.065 | 8 |
| 8 | • 1498 | NUT, 5/16-18 REGHEXCTRLK | 4 |
| 9 | 323739 | STABILIZER BRKT P920,F4150 930 OIL DIP | 1 |
| 10 | • 35498 | SCREW, 5/16-18X .75 WAHHTAP | 2 |
| 11 | 120638 | WASHER, HVSPTLK .328X.60X.09 | 2 |
| 12 | • 122017 | SCREW, 5/16-18X1.00 HHC | 1 |
| 13 | 120393 | WASHER, FLAT .344X .69X.065 | 1 |
| 14 | • 1498 | NUT, 5/16-18 REGHEXCTRLK | 1 |
| 15 | 50947 | SCREW, 3/8-16X1.25 WAHHTAP | 1 |
| 16 | • 122007 | SCREW, 5/16-18X .75 HHC | 1 |
| 17 | 138538 | WASHER, REGINTLK.320X.61X.03 | 1 |
| 18 | • 1498 | NUT, 5/16-18 REGHEXCTRLK | 1 |
| 19 | 319111 | LEVER,SHIFT,LWR 4360 | 1 |
| 20 | 310347-853 | CLIP-SHIFT LEVER | 1 |
| 21 | • 180079 | SCREW, 5/16-18X 1.00 HHC | 1 |
| 22 | 996416 | WASHER, FLAT .391X1.00X.125 | 1 |
| 23 | • 1498 | NUT, 5/16-18 REGHEXCTRLK | 1 |
| 24 | 310347-853 | CLIP-SHIFT LEVER | 1 |
| 25 | 57259 | GUIDE, BELT 5/16-18THD | 1 |
| 26 | 996416 | WASHER, FLAT .391X1.00X.125 | 1 |
| 27 | • 1498 | NUT, 5/16-18 REGHEXCTRLK | 1 |
| 28 | 318544 | PIVOT BRKT LEVER | 1 |
| 29 | • 180018 | SCREW, 1/4-20X .62 HHC | 2 |
| 30 | • 1502 | NUT, 1/4-20 REGHEXCTRLK | 2 |
| 31 | 324798 | LEVER, SHIFT UPPER | 1 |
| 32 | 310265 | SPRING, TORS .56X.95X.095 | 1 |
| 33 | 137185 | PIN, COTTER .125 DIA X1.00LG | 1 |
| 34 | • 120238 | NUT, 1/2-13 HEXJAM | 1 |
| 35 | 306690 | HANDLE 1/2-13 | 1 |
| 36 | 314965 | LINK TIE ROD SHIFTER | 1 |
| 37 | • 180124 | SCREW, 3/8-16X1.25 HHC | 1 |
| 38 | 120382 | WASHER,REGSPTLK .393X.68X.10 | 1 |
| 39 | • 1499 | NUT, 3/8-16 REGHXCTRLK | 1 |
| 40 | 309637 | BRACKET,SHIFT 5SP | 1 |
| 41 | • 180124 | SCREW, 3/8-16X1.25 HHC | 1 |
| 42 | 120394 | WASHER, FLAT .406X .81X.065 | 2 |
| 43 | • 1499 | NUT, 3/8-16 REGHXCTRLK | 1 |
| 44 | 57157 | WASHER,.750X.250 | 1 |
| 45 | • 56255 | SCREW, 1/4-28X .75 NYLHHC | 1 |
| 46 | 311257-853 | BRACKET COVER | 1 |
| 47 | 311209 | COVER PLASTIC | 1 |
| 48 | 311331 | SCREW,1/4-15X.44/.53 HILOHWA | 2 |
| 49 | 1341 | CLAMP SPRING | 2 |
| 50 | 311331 | SCREW,1/4-15X.44/.53 HILOHWA | 2 |

• Indicates STANDARD HARDWARE ITEMS.

* See Transaxle Breakdown Pages.

CRAFTSMAN 43" LAWN TRACTOR MODEL 536.255870

MOTION DRIVE ASSEMBLY



NOTE: ALWAYS USE ORIGINAL EQUIPMENT PARTS.
Use of service/replacement parts other than original equipment parts may void your warranty.

**ALL UNNUMBERED
ITEMS ARE INTERCHANGEABLE
WITH OPPOSITE SIDE**

328041A

CRAFTSMAN 43" LAWN TRACTOR MODEL 536.255870

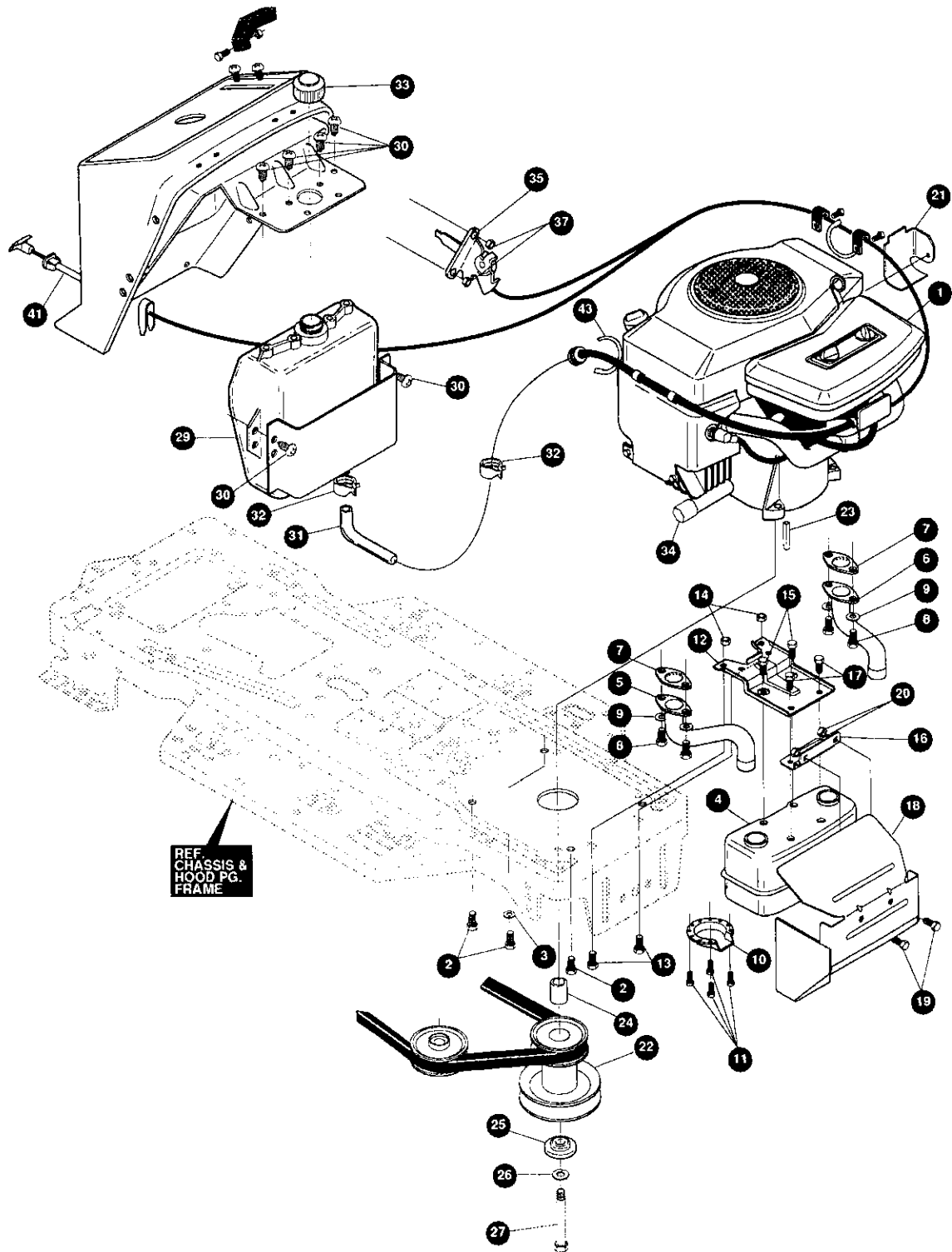
| key# | part# | description | qty. |
|------|------------|-----------------------------------|------|
| 60 | 321514 | SPRING BIAS DRAGLINK | 1 |
| 61 | 304016 | GUIDE BELT | 1 |
| 62 | 1498 | NUT, 5/16-18 REGHEXCTRLK | 1 |
| 63 | 325942 | PEDAL ASSY, BRAKE/CLUTCH | 1 |
| 64 | 319675 | PIN CLEVIS | 1 |
| 65 | 57847 | SPRING, BRAKE PEDAL | 1 |
| 66 | 2968 | WASHER, FLAT .504X .75X.059 | 3 |
| 67 | 56180 | PIN, HAIR | 1 |
| 68 | 48160 | PAD, CLUTCH BRAKE | 1 |
| 69 | 320381-853 | ARM, IDLER TRACTION DR. | 1 |
| 70 | 300793 | BOLT, .625X .135 HSSH 5/16-18 | 1 |
| 71 | 45602 | WASHER, FLAT .333X .87X.119 | 1 |
| 72 | • 1498 | NUT, 5/16-18 REGHEXCTRLK | 1 |
| 73 | 39659 | RETAINER, STRAP BELT | 1 |
| 74 | 35374 | PULLEY, IDLER V4L 3.06X .62 | 1 |
| 75 | 45892 | BOLT, 3/8-16X1.50 CARR | 1 |
| 76 | • 1499 | NUT, 3/8-16 REGHXCTRLK | 1 |
| 77 | 57204 | ROD, CLUTCH | 1 |
| 78 | 57217-853 | BRACKET, BRAKE ROD | 1 |
| 79 | 20507 | BOLT, .437X .156 HSSH 5/16-18 | 1 |
| 80 | 45602 | WASHER, FLAT .333X .87X.119 | 1 |
| 81 | • 1498 | NUT, 5/16-18 REGHEXCTRLK | 1 |
| 82 | 313659 | ROD, BRAKE P920 4WS | 1 |
| 83 | • 271184 | NUT, 5/16-18 HEXKEPS | 1 |
| 84 | • 1498 | NUT, 5/16-18 REGHEXCTRLK | 1 |
| 85 | 313660 | SPRING, CLUTCH .113X.750X8.75 | 1 |
| 86 | * | TIRE & RIM, PU 20-10X8 Silver 654 | 2 |
| 87 | 24167 | VALVE STEM | 1 |
| 88 | 321915 | RIM, WHEEL 20X8 854 | 1 |
| 89 | 319686 | TIRE, PU 20X10X8 SQSH | 1 |
| 90 | • 123418 | SCREW, 1/2-20X .50 HHC | 6 |
| 91 | 306572 | 8" HUB CAP Silver 654 | 2 |
| 92 | 306669 | CLIPS, HUB CAPS | 10 |

* Order Individual Parts.

• Indicates STANDARD HARDWARE ITEMS.

CRAFTSMAN 43" LAWN TRACTOR MODEL 536.255870

ENGINE & CONTROL ASSEMBLY



NOTE: ALWAYS USE ORIGINAL EQUIPMENT PARTS. Use of service/replacement parts other than original equipment parts may void your warranty.

ALL UNNUMBERED ITEMS ARE INTERCHANGEABLE WITH OPPOSITE SIDE

327961A